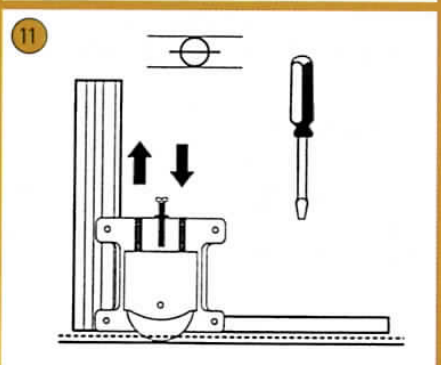
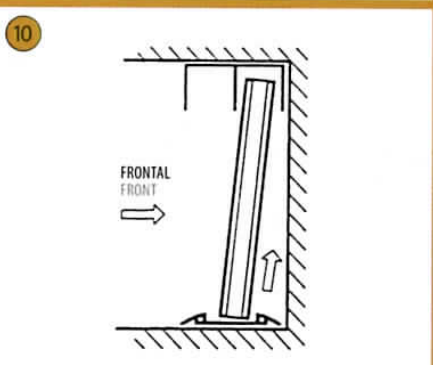
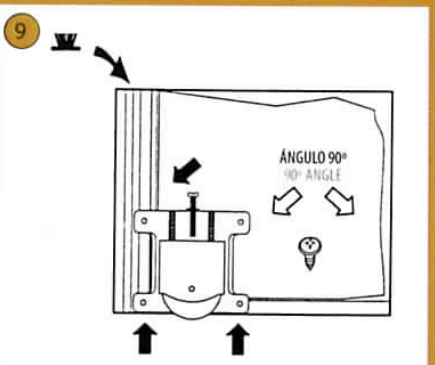
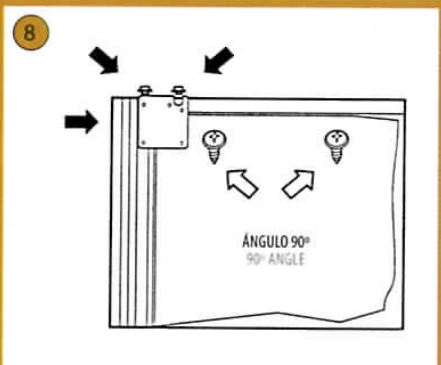
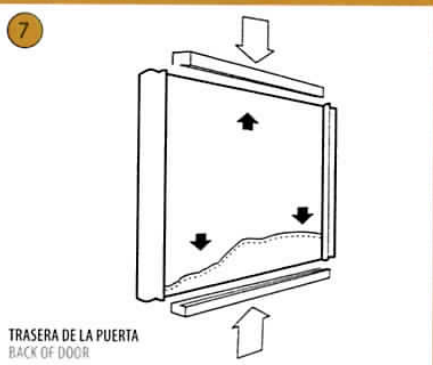
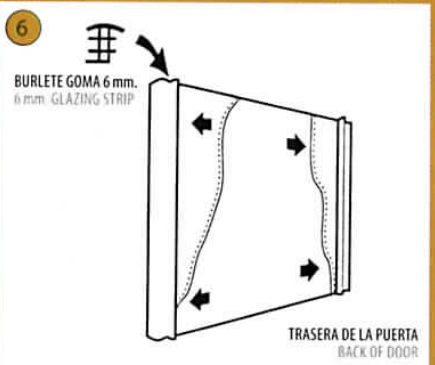
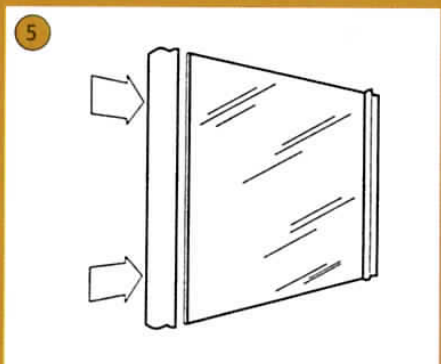
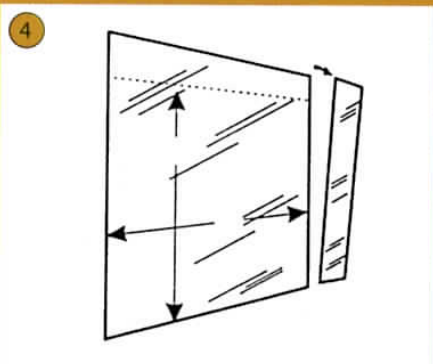
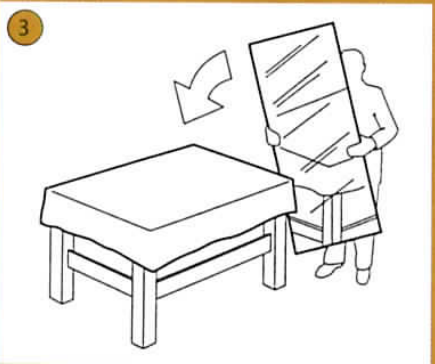
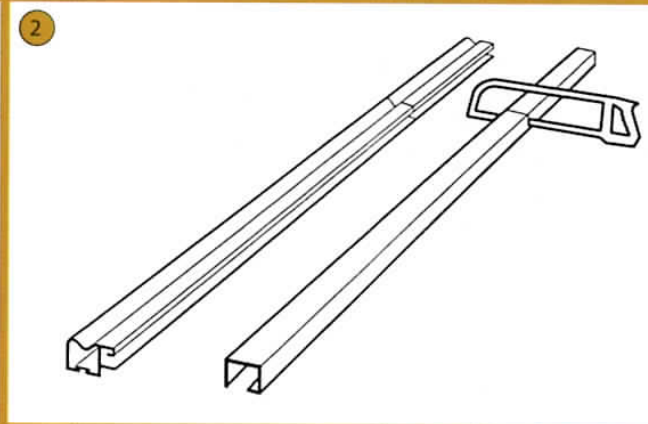
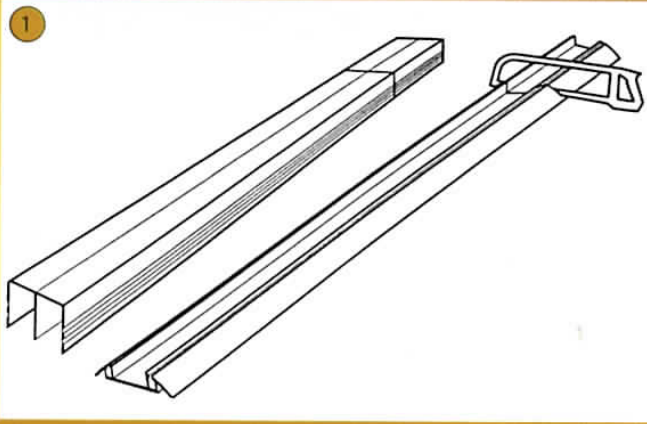
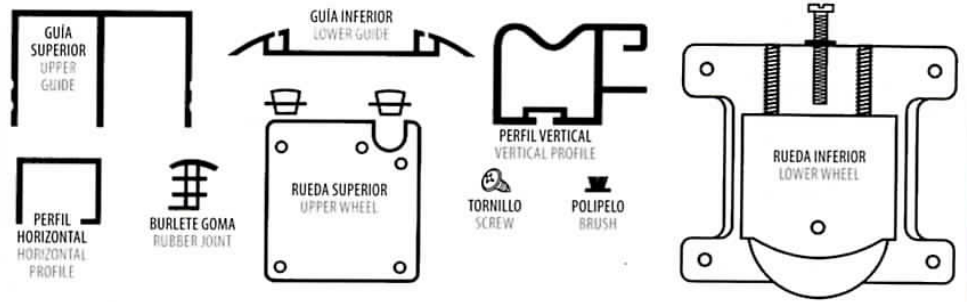


ESQUEMA DE MONTAJE ASSEMBLY DRAWING

Herramientas necesarias para el montaje:
un atornillador y una sierra para aluminio.
Needed Tools for assembling:
screwdriver and cutting machine for aluminum.



Sistema de aluminio corredero

Sliding system

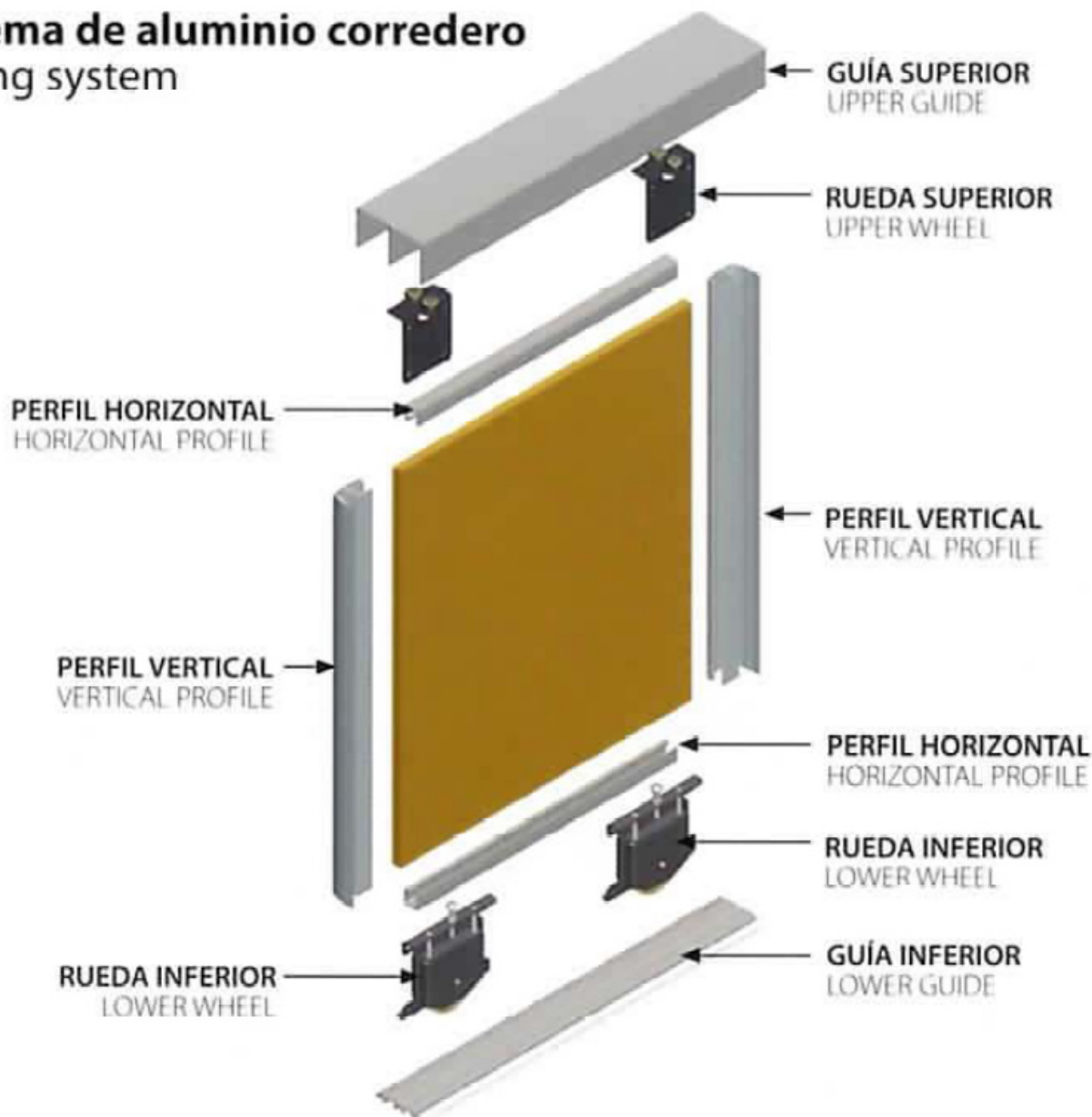


TABLA DE DESPIECE / CALCULATION DETAILS

EN-10, EN-16	FRENTE 2 HOJAS FRONT 2 DOORS	FRENTE N° HOJAS PAR MAYOR DE 2 FRONT NO. OF DOORS EVEN NUMBER GREATER THAN 2	FRENTE N° HOJAS IMPAR FRONT NO. OF DOORS UNEVEN
Vertical	A - 30 mm (40 mm)*	A - 30 mm (40 mm)*	A - 30 mm (40 mm)*
Horizontal	$L - (34 \times (NH + 1))$ NH	$L - (34 \times (NH + 2))$ NH	$L - (34 \times (NH + 1))$ NH
Panel alto / Height panel	Vertical - 4	Vertical - 4	Vertical - 4
Panel ancho / Width panel	Horizontal + 20	Horizontal + 20	Horizontal + 20
Carriles / Guides	L - 2	L - 2	L - 2

* CON AUTOCIERRE APLICAR ESTA MEDIDA. / WITH DAMPING SYSTEMS ITEM USE THIS MEASUREMENT.

A = Alto / Height
L = Ancho / Width
NH = N° de hojas / No. of doors